

"Table top" sound absorber



The "table top" sound absorber can be easily put on any desk to instantly provide areas of acoustic privacy without isolating individuals



Chrome-finished stand



The fabric-covered "table top" sound absorber can be placed in an upright or angled position using the stand supplied

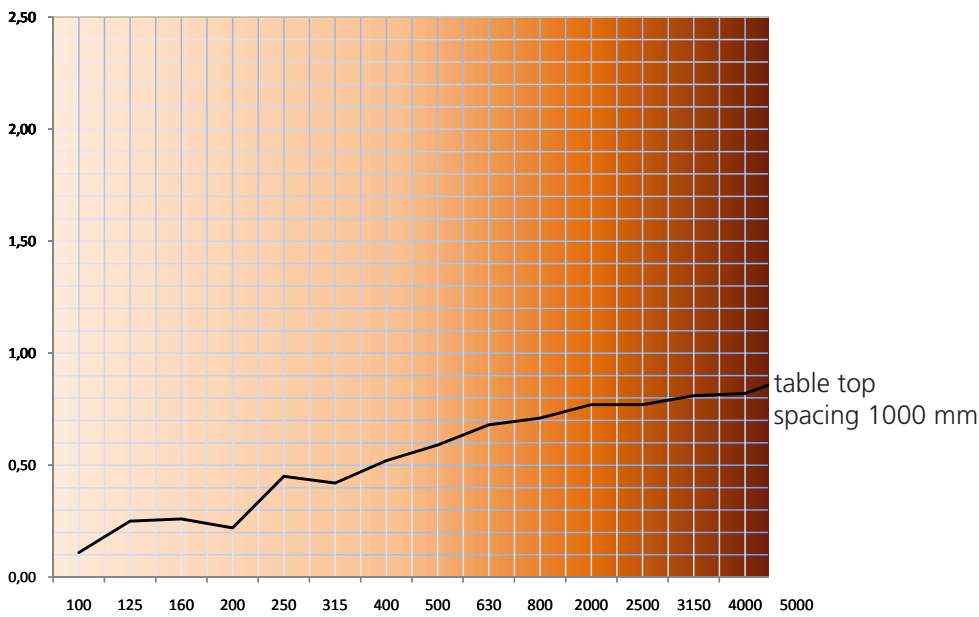
Acoutech GmbH

Raumakustische Systeme
Tel. +41 (0)55 211 01 40
Fax +41 (0)55 211 01 46

CH-8853 Lachen
info@acoutech.ch
www.acoutech.ch

Acoustics

Equivalent absorption area of an object A (m²)



Test report available on request - **Texaa**® laboratory

SHEET OF TYPICAL SPECIFICATIONS

The acoustic absorption of a room is enhanced by **Texaa**® “table top”, fabric-covered on all faces, consisting of :

- grey cellular foam
- an **Aeria*** fabric cover
- a single chrome-finished stand (diameter of tube : 8mm)

Dimensions / weight / acoustics

Dimensions in mm (L x l x H)	Weight Kg	Equivalent absorption area A(m ²) at medium frequencies
screen 1180 x 390 x 45 mm	0,55	0.68
stand	0,66	

Fire rating

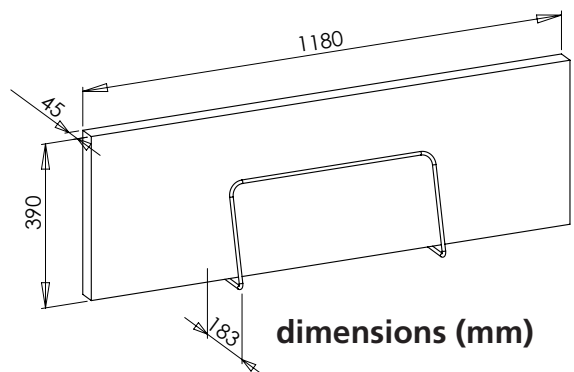
France : M1 - non dripping for each component
 Other requirements, please contact us

Colours

To be selected from the **Aeria*** round knit colour chart (23 colours)

Lead time

4 weeks



* patented product